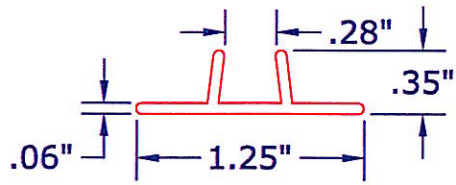
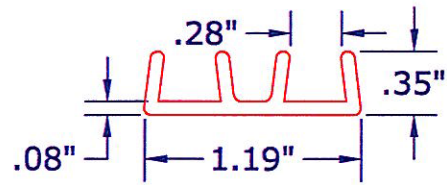


# ALUMINUM HOLDERS FOR NO. 7 CHANNEL

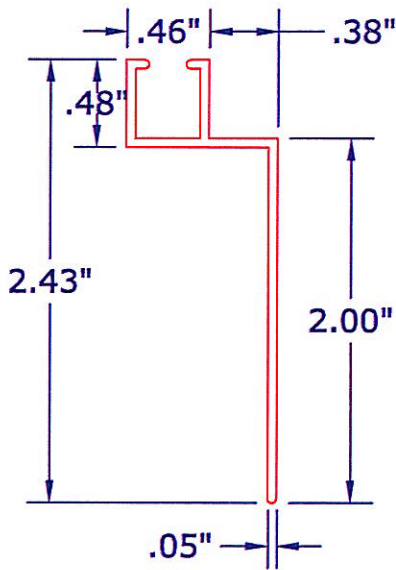
**I**



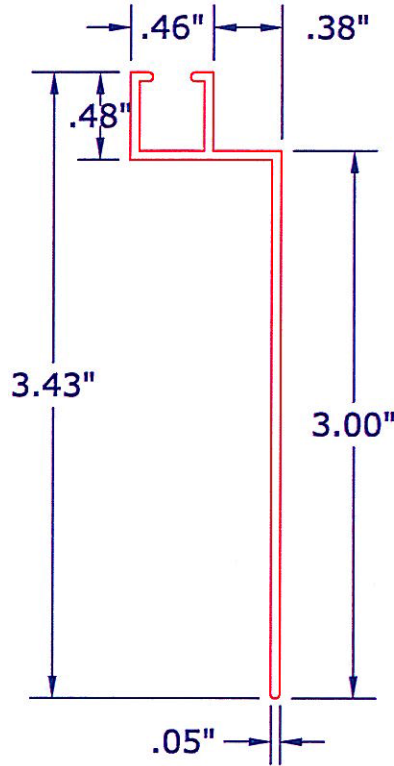
**J**



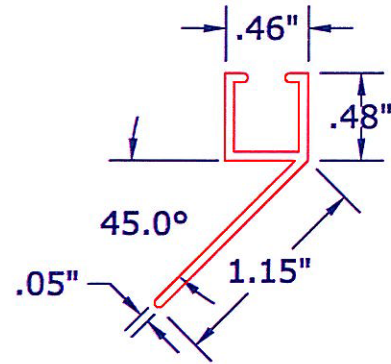
**K**



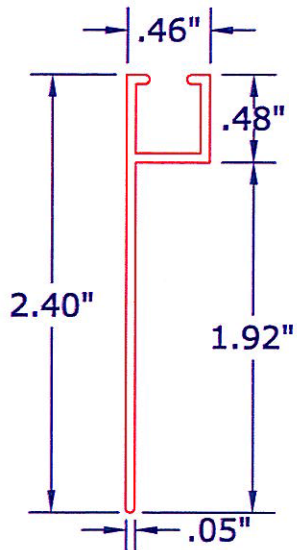
**L**



**M**



**N**



**P**

